

Reactis V2017

Released July 7, 2017



Newly Supported Simulink Features

- MATLAB R2017a.
- Variant Source and Variant Sink blocks.
- Lookup and Prelookup blocks in which the input data type is different from the breakpoint data type.
- Outputting Stateflow leaf-state and child-state activity to Simulink.

API Improvements

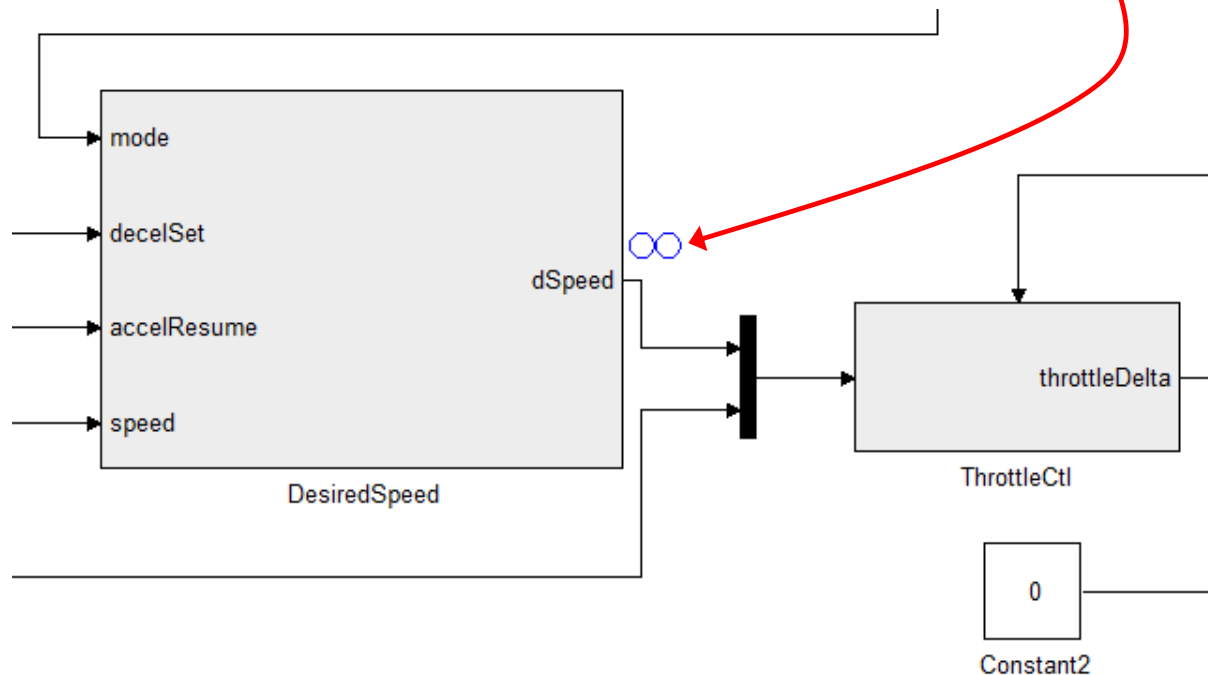
- Functions to add/modify/remove test points.
- Include/exclude plots in test execution reports.

Reactis for EML Plugin

Support:

- *struct* function
- empty *otherwise* branch in *switch* statement

Enhanced Test Points



Previously, test point

- stored internal signal value in test suite
- compared computed value for signal against test suite value

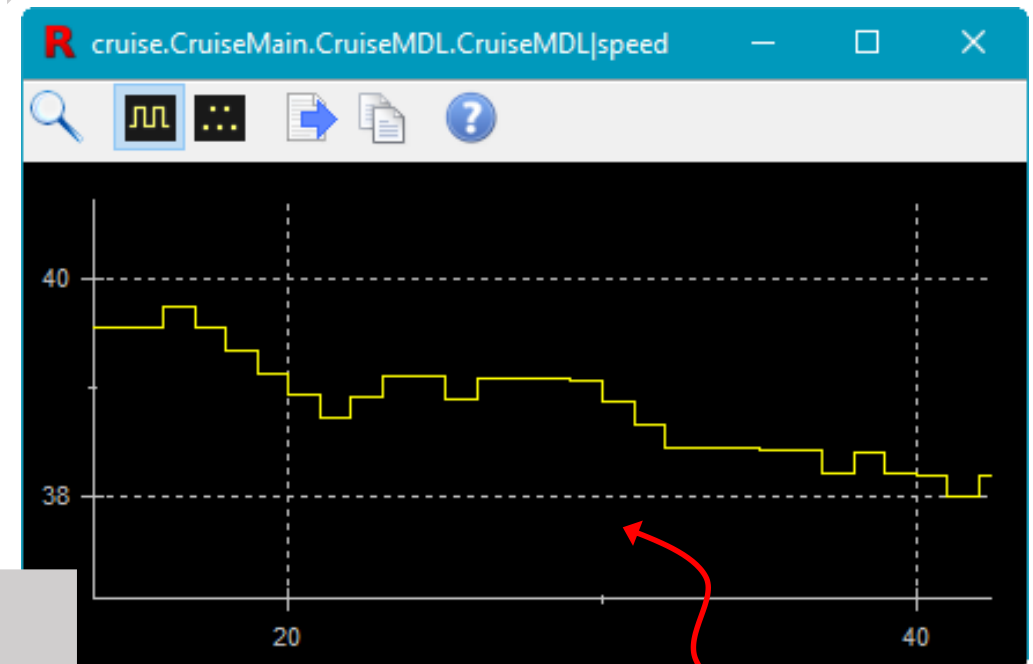
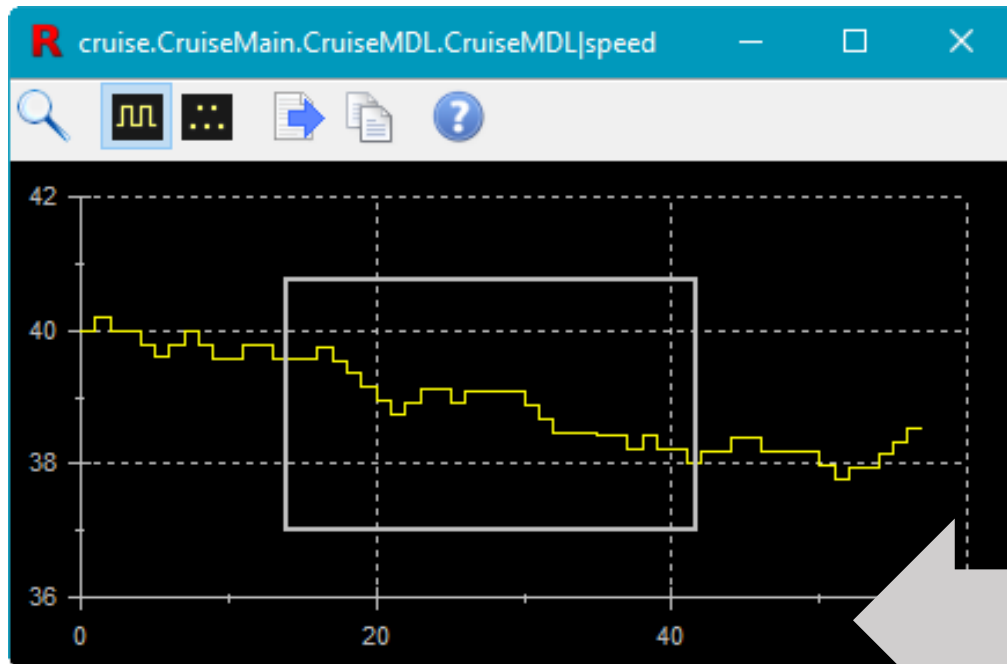
V2017

- assign constraint to test point
- raise error, warning, or assertion violation if value outside constraint is observed

Enhanced Scopes – Easier Zooming

Drag with mouse to select zoom region

Scope zoomed to selected region



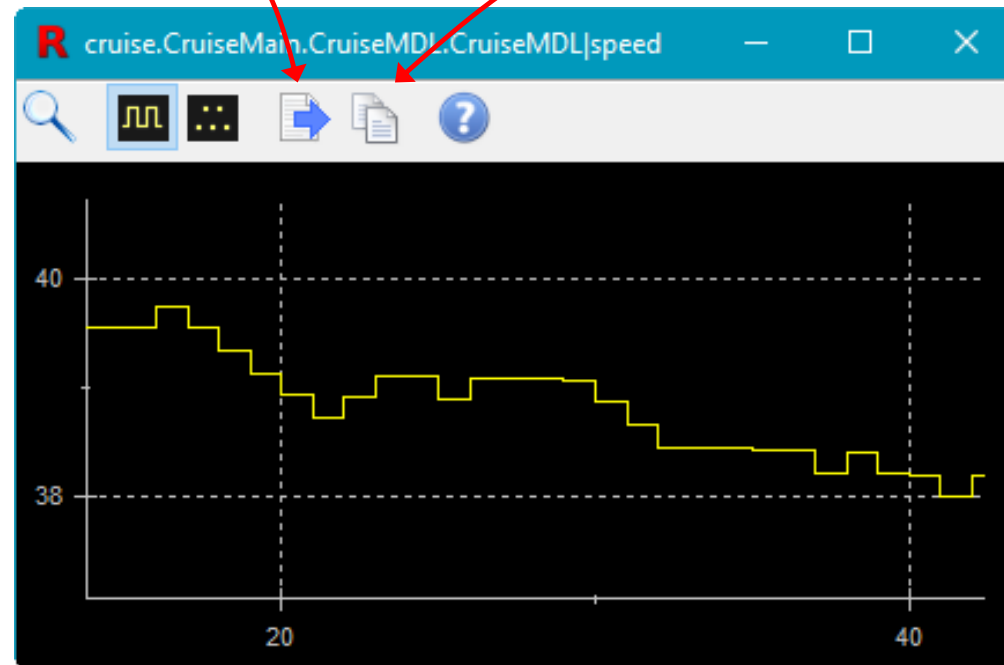
Right-click to undo zoom

CTRL drag to scroll

Enhanced Scopes – Exporting Plot

Export plot to PNG

Copy plot to clipboard



Test Execution Report Enhancements

Reactis Test Execution Report

Mon Jul 03 13:29:30 2017

Model File: C:\Users\sims\tmp\cruise\cruise.slx (1.119)

RSI File: C:\Users\sims\tmp\cruise\cruise.rsi

Test Suite: C:\Users\sims\tmp\cruise\ts2.rst

Reactis Version: V2016.3

Model version
now included



Summary

Number	Test Name	Steps	Errors	Warnings	Differences
1	Test 1	1	0	0	0
2	Test 2	58	0	0	0
3	Test 3	11	0	0	0
4	Test 4	31	0	0	0
5	Test 5	26	<u>1</u>	0	0

Test Execution Report Enhancements

Tolerance now included for each output and test point

Tolerances for Comparing Computed Values and Test Values

Outputs

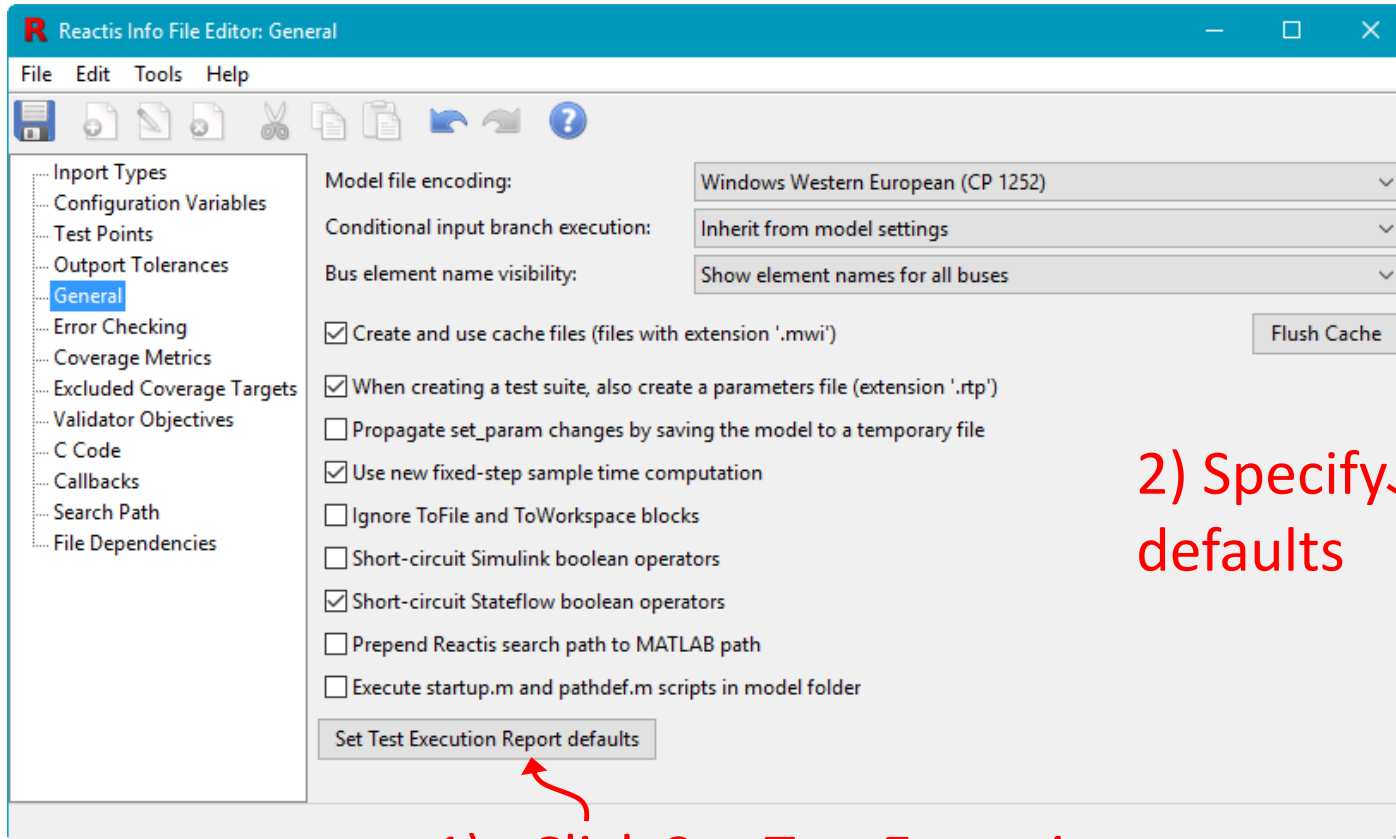
Output	Method	Relative	Absolute
active	relative	1e-005	
speed	relative	1e-005	
throttleDelta	min	1e-005	1e-005

Test Points

Test Point	Method	Relative	Absolute
*.CruiseMain.CruiseMDL.CruiseMDL.DesiredSpeed @dSpeed	relative	1e-005	
*.CruiseMain.CruiseMDL.CruiseMDL @speed	relative	1e-005	

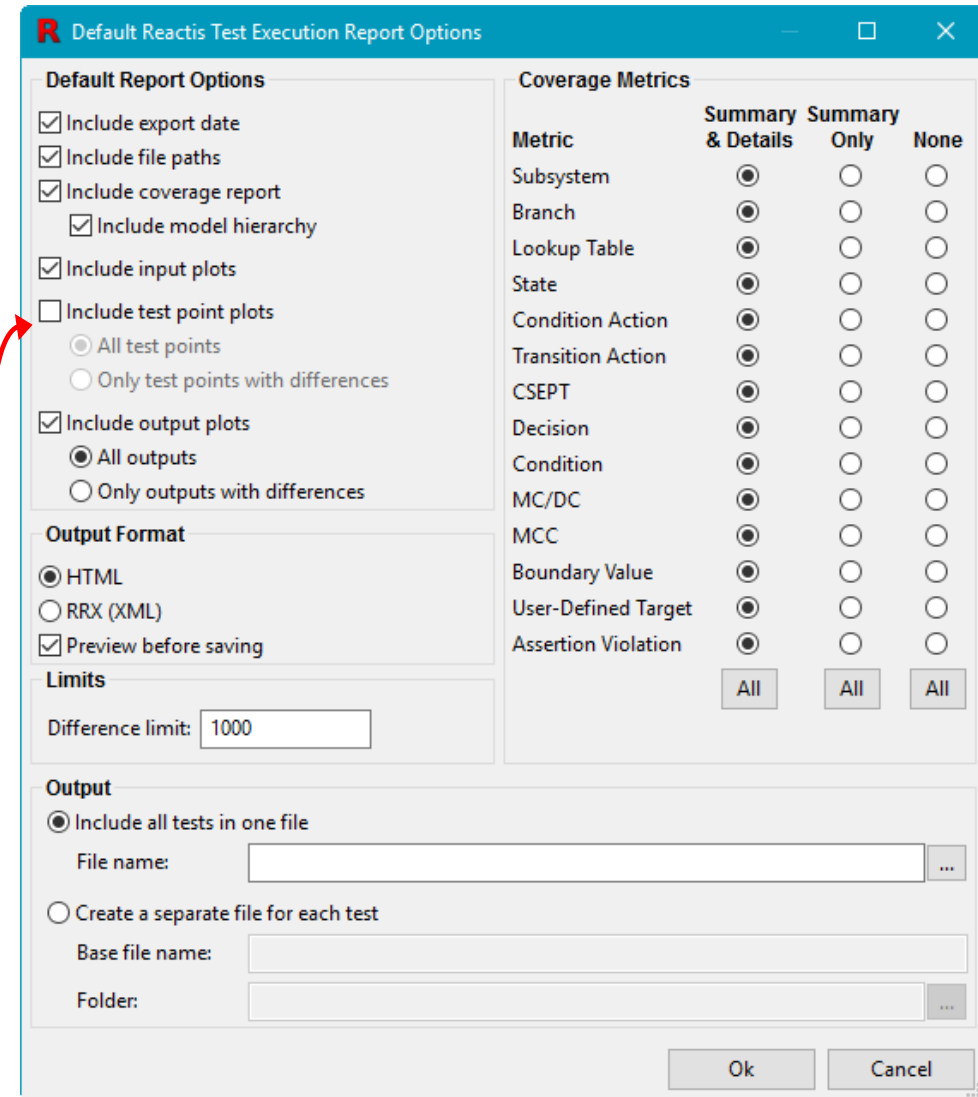
Test Execution Report Enhancements

Set default report parameters



1) Click Set Test Execution Report defaults

2) Specify defaults



Test Execution Report Enhancements

Include plots for inputs, outputs, test points in report

